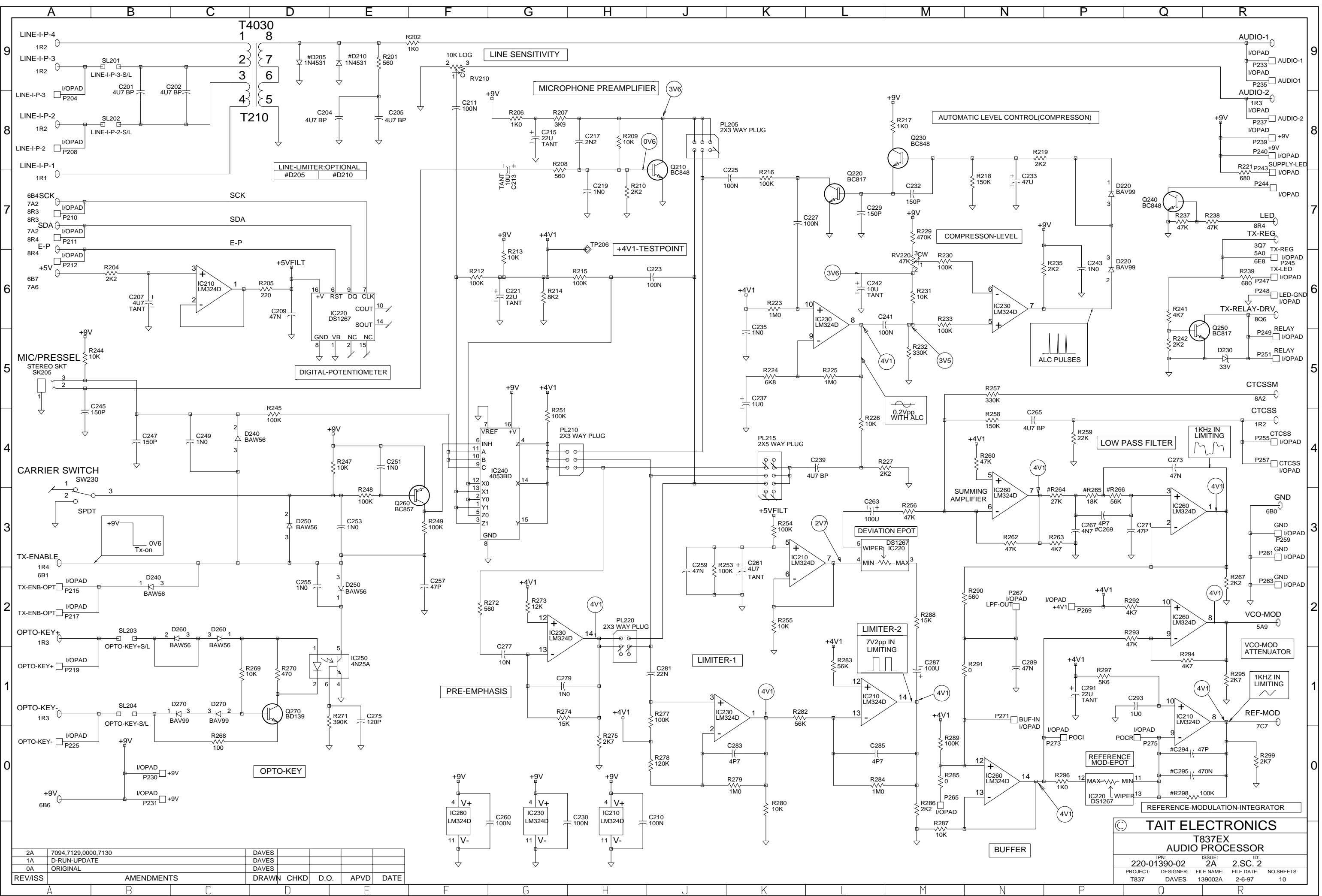


OUT-OF-CIRCUIT-DATA  
SHEET 10

PL100  
15 WAY R-ANGLE DRANGE PLUG

2A	7094.7129.0000.7130	DAVES				
1A	D-RUN-UPDATE	DAVES				
0A	ORIGINAL	DAVES				
REV/ISS	AMENDMENTS	DRAWN	CHKD	D.O.	APVD	DATE

© TAIT ELECTRONICS					
T837EX					
IPN:	220-01390-02	ISSUE:	2A	ID:	2.SC. 1
PROJECT:	T837	DESIGNER:	DAVES	FILE NAME:	139002A
		FILE DATE:	2-6-97	NO. SHEETS:	10

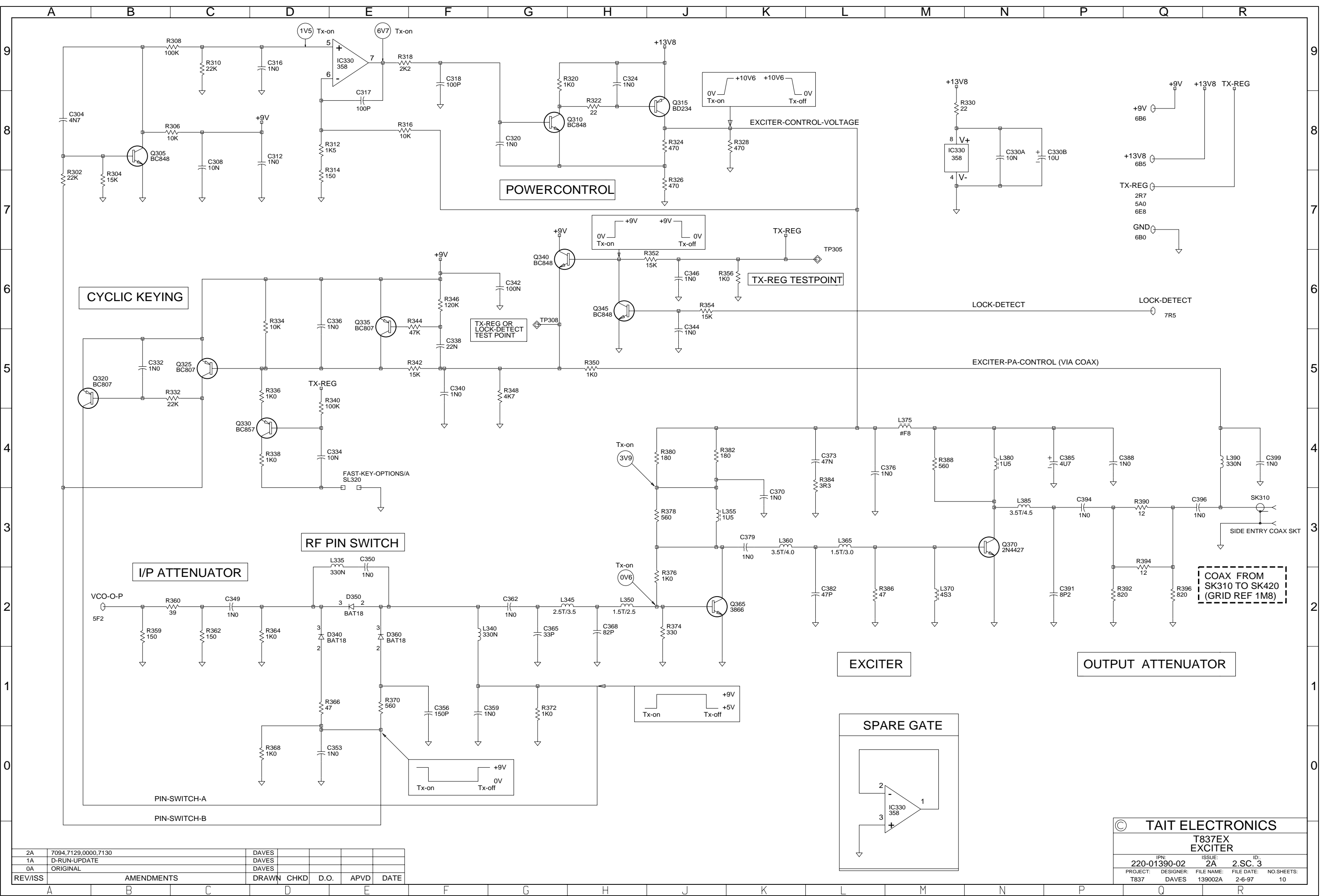


2A	7094.7129.0000.7130	DAVES				
1A	D-RUN-UPDATE	DAVES				
0A	ORIGINAL	DAVES				
REV/ISS	AMENDMENTS	DRAWN	CHKD	D.O.	APVD	DATE

**TAIT ELECTRONICS**

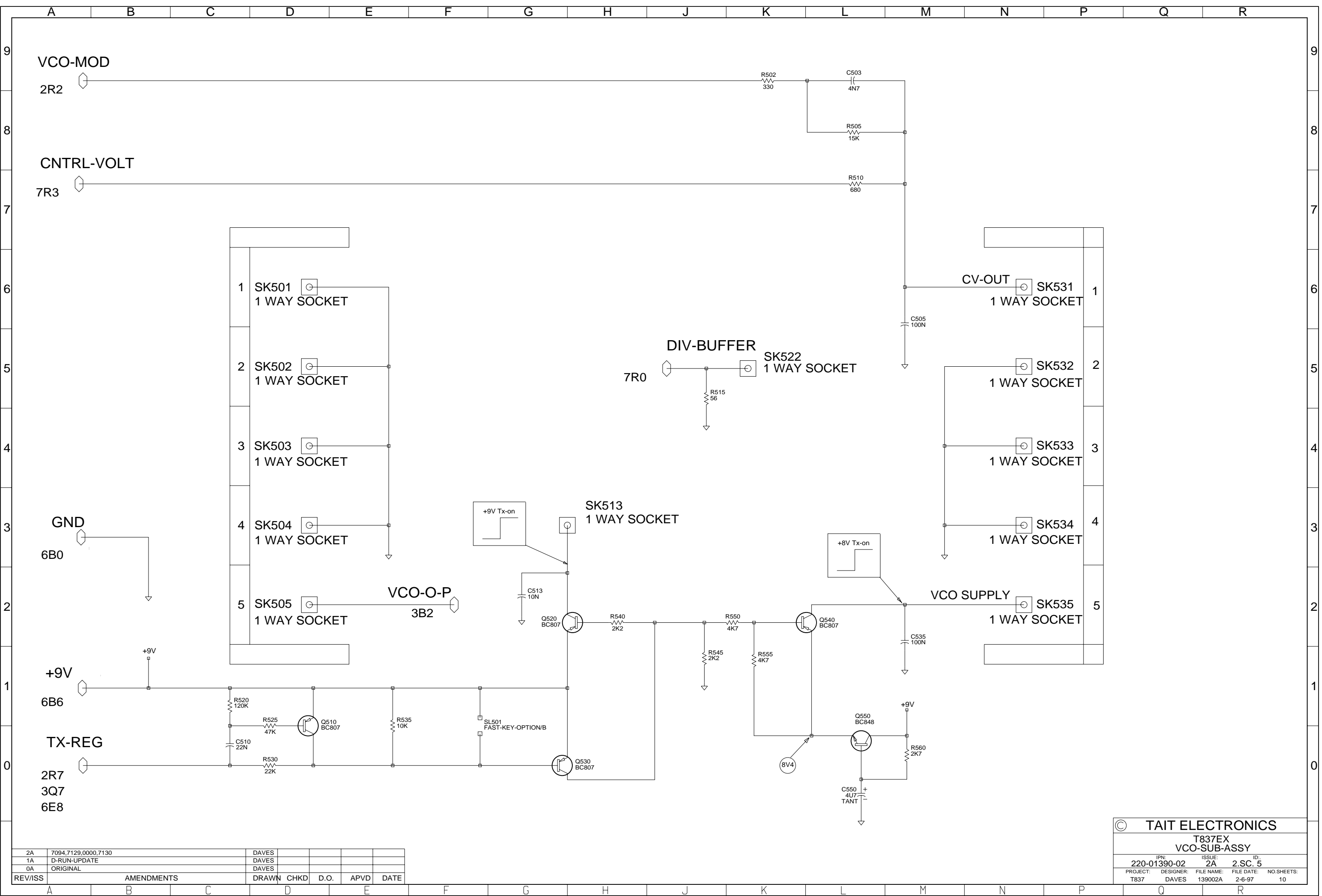
**T837EX  
AUDIO PROCESSOR**

IPN: 220-01390-02	ISSUE: 2A	ID: 2.S.C. 2
PROJECT: T837	DESIGNER: DAVES	FILE NAME: 139002A
		FILE DATE: 2-6-97
		NO. SHEETS: 10



2A	7094.7129.0000.7130	DAVES				
1A	D-RUN-UPDATE	DAVES				
0A	ORIGINAL	DAVES				
REV/ISS	AMENDMENTS	DRAWN	CHKD	D.O.	APVD	DATE

© TAIT ELECTRONICS			
T837EX EXCITER			
IPN: 220-01390-02	ISSUE: 2A	ID: 2.SC. 3	
PROJECT: T837	DESIGNER: DAVES	FILE NAME: 139002A	FILE DATE: 2-6-97
			NO. SHEETS: 10

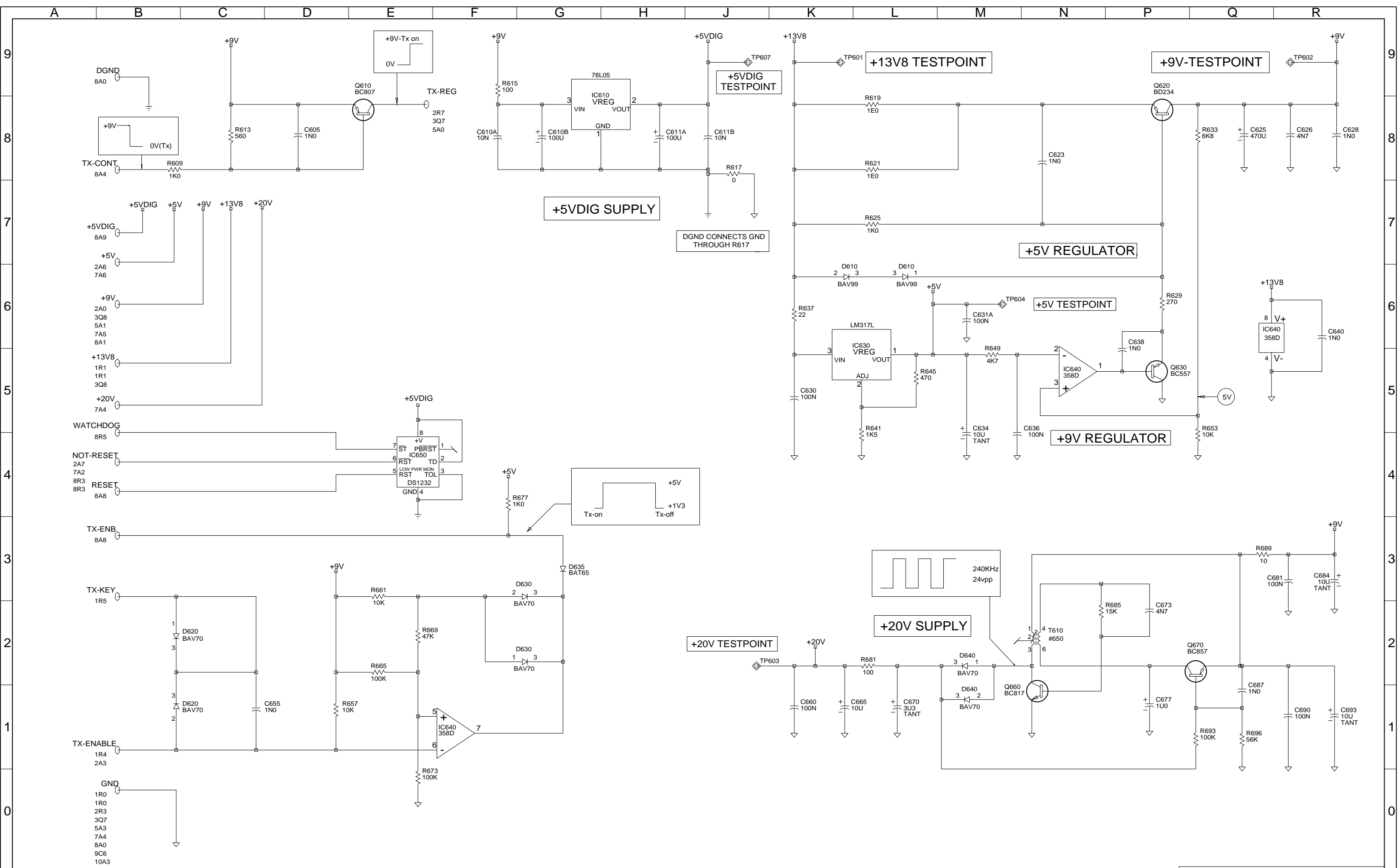


2A	7094.7129.0000.7130	DAVES				
1A	D-RUN-UPDATE	DAVES				
0A	ORIGINAL	DAVES				
REV/ISS	AMENDMENTS	DRAWN	CHKD	D.O.	APVD	DATE

© TAIT ELECTRONICS

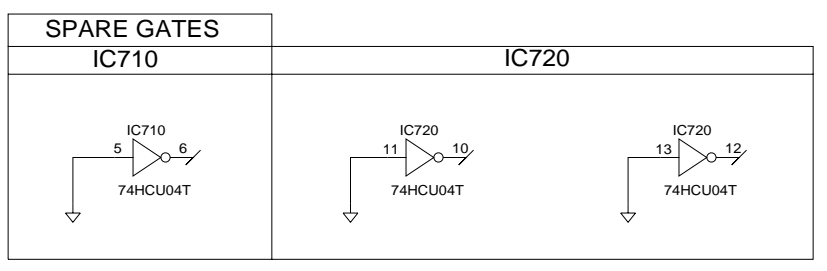
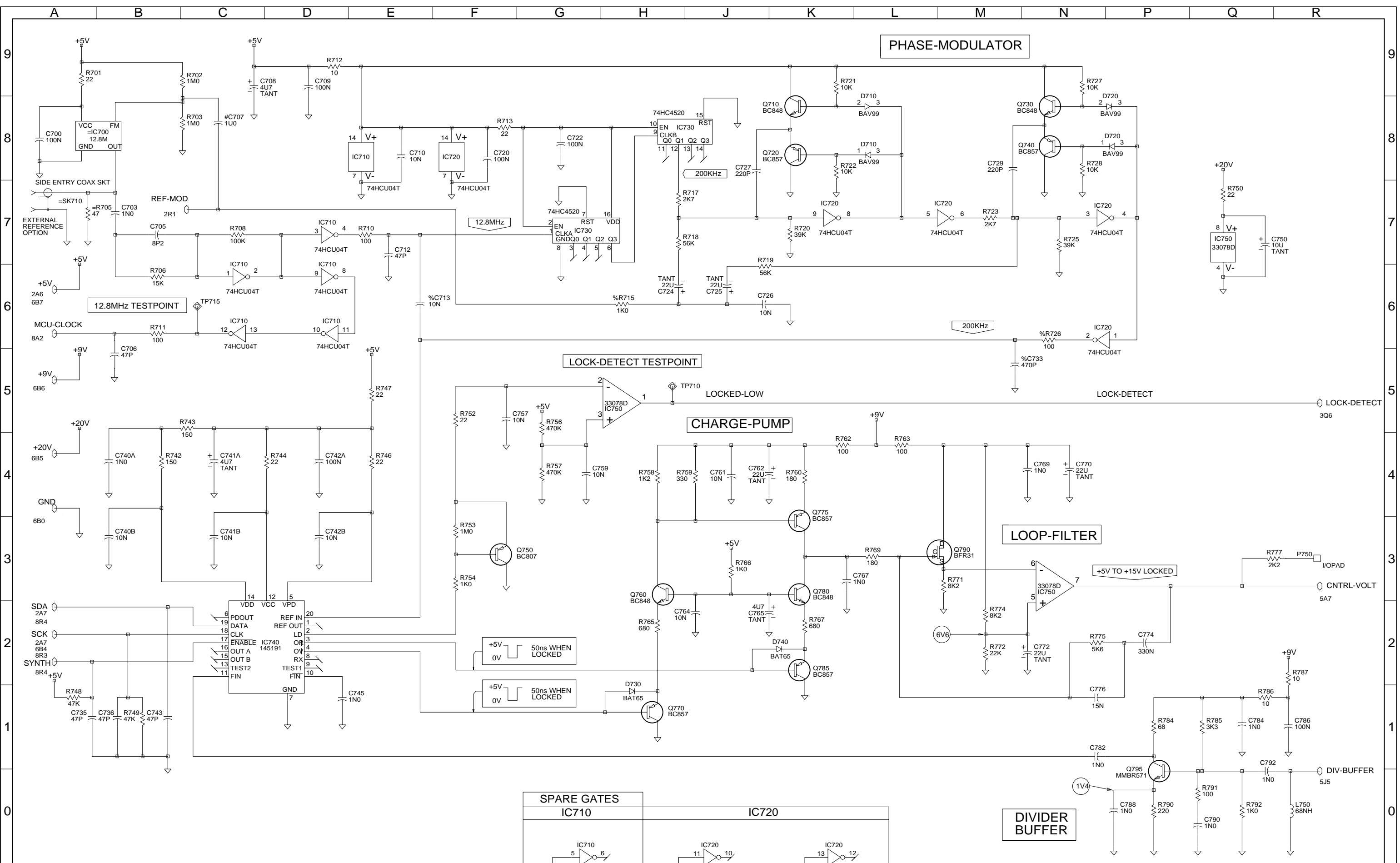
T837EX  
VCO-SUB-ASSY

IPN:	220-01390-02	ISSUE:	2A	ID:	2.SC. 5
PROJECT:	T837	DESIGNER:	DAVES	FILE NAME:	139002A
		FILE DATE:	2-6-97	NO. SHEETS:	10



2A	7094.7129.0000.7130	DAVES				
1A	D-RUN-UPDATE	DAVES				
0A	ORIGINAL	DAVES				
REV/ISS	AMENDMENTS	DRAWN	CHKD	D.O.	APVD	DATE

© TAIT ELECTRONICS  
**T837EX REGULATOR**  
 IPN: 220-01390-02    ISSUE: 2A    ID: 2.SC. 6  
 PROJECT: T837    DESIGNER: DAVES    FILE NAME: 139002A    FILE DATE: 2-6-97    NO. SHEETS: 10



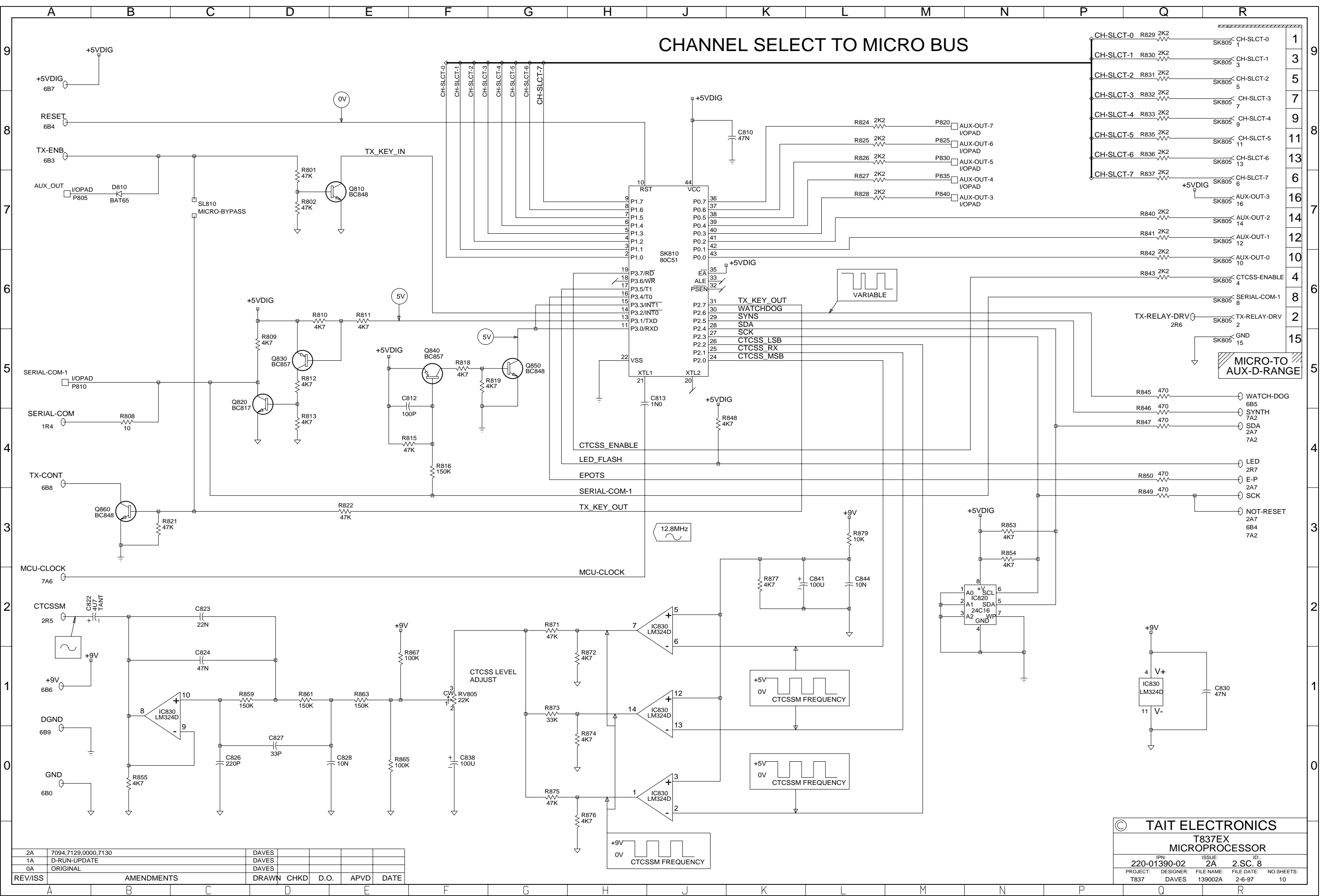
2A	7094.7129.0000.7130	DAVES				
1A	D-RUN-UPDATE	DAVES				
0A	ORIGINAL	DAVES				
REV/ISS	AMENDMENTS	DRAWN	CHKD	D.O.	APVD	DATE

© **TAIT ELECTRONICS**

**T837EX SYNTHESISER**

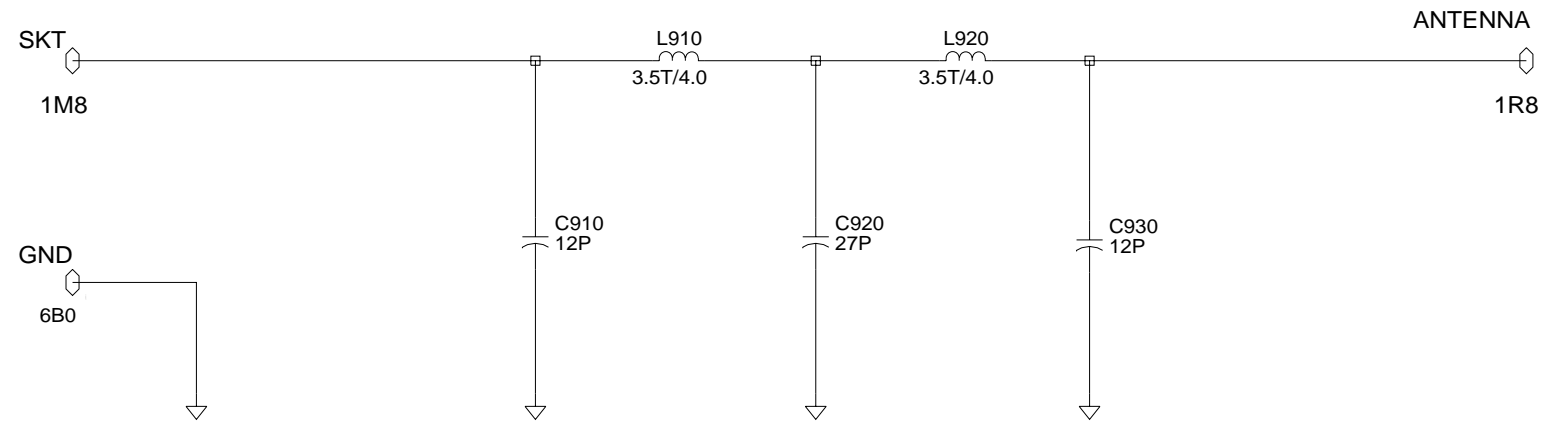
IPN:	ISSUE:	ID:
220-01390-02	2A	2.SC.7
PROJECT:	DESIGNER:	FILE NAME:
T837	DAVES	139002A
FILE DATE:	NO. SHEETS:	
2-6-97	10	

# CHANNEL SELECT TO MICRO BUS



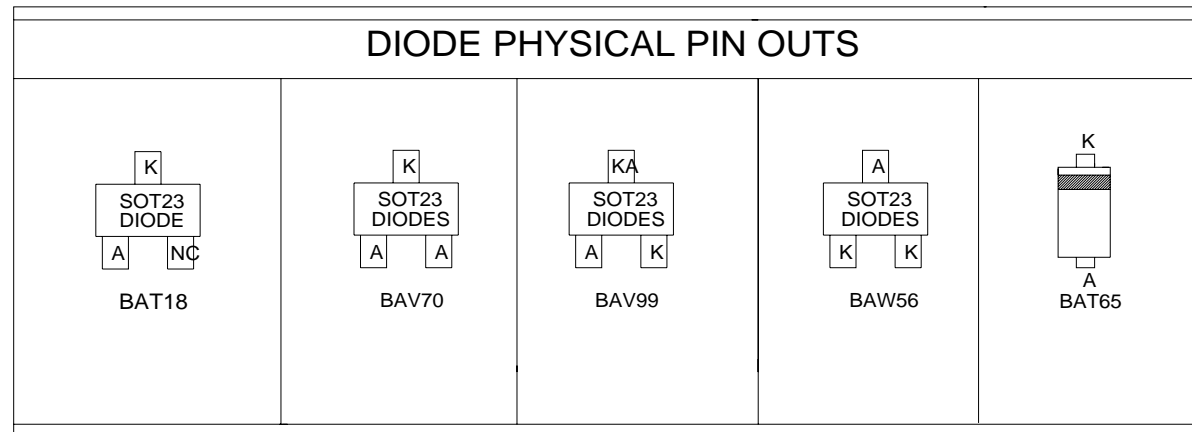
2A	7094.7129.0000.7130	DAVES				
1A	D-RUN-UPDATE	DAVES				
0A	ORIGINAL	DAVES				
REV/ISS	AMENDMENTS	DRAWN	CHKD	D.O.	APVD	DATE

© TAIT ELECTRONICS  
**T837EX MICROPROCESSOR**  
 IPN: 220-01390-02    ISSUE: 2A    ID: 2.SC. 8  
 PROJECT: T837    DESIGNER: DAVES    FILE NAME: 139002A    FILE DATE: 2-6-97    NO. SHEETS: 10

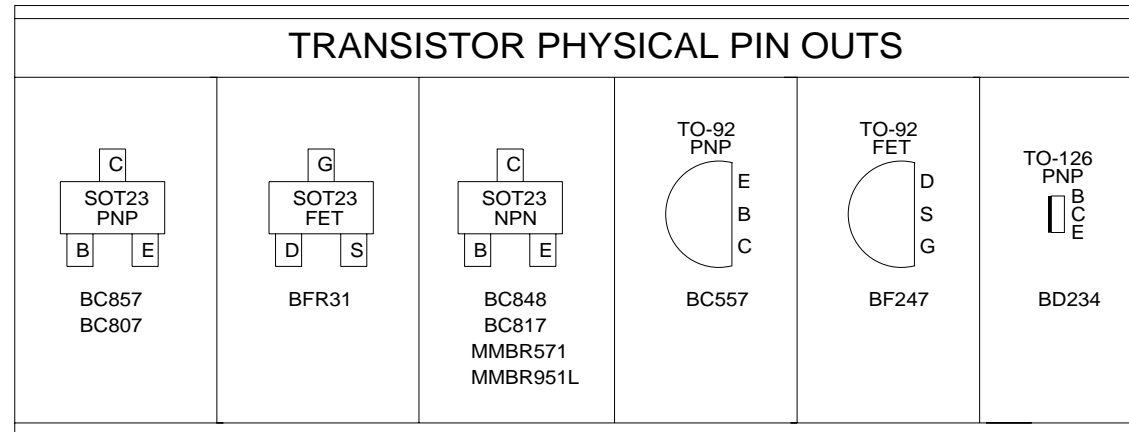


HARMONIC-FILTER

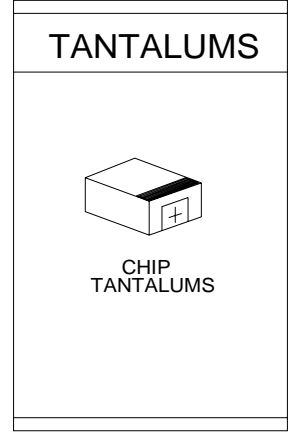
DIODE PHYSICAL PIN OUTS



TRANSISTOR PHYSICAL PIN OUTS



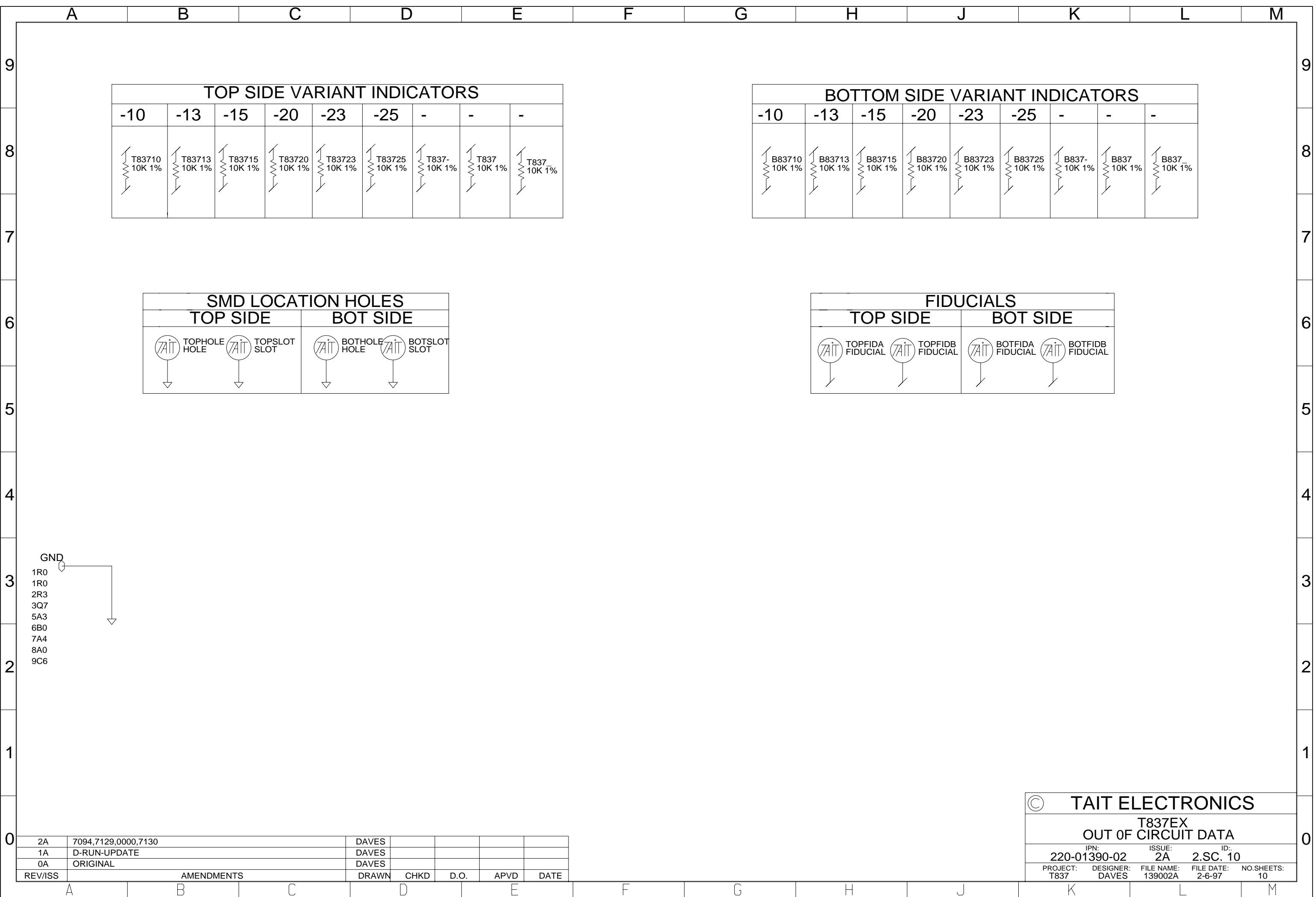
TANTALUMS



2A	7094,7129,0000,7130	DAVES					
1A	D-RUN-UPDATE	DAVES					
0A	ORIGINAL	DAVES					
REV/ISS	AMENDMENTS	DRAWN	CHKD	D.O.	APVD	DATE	

© TAIT ELECTRONICS					
T837EX HARMONIC-FILTER					
IPN: 220-01390-02		ISSUE: 2A		ID: 2.SC. 9	
PROJECT: T837	DESIGNER: DAVES	FILE NAME: 139002A	FILE DATE: 2-6-97	NO. SHEETS: 10	





TOP SIDE VARIANT INDICATORS								
-10	-13	-15	-20	-23	-25	-	-	-
T83710 10K 1%	T83713 10K 1%	T83715 10K 1%	T83720 10K 1%	T83723 10K 1%	T83725 10K 1%	T837- 10K 1%	T837 10K 1%	T837 10K 1%

BOTTOM SIDE VARIANT INDICATORS								
-10	-13	-15	-20	-23	-25	-	-	-
B83710 10K 1%	B83713 10K 1%	B83715 10K 1%	B83720 10K 1%	B83723 10K 1%	B83725 10K 1%	B837- 10K 1%	B837 10K 1%	B837 10K 1%

SMD LOCATION HOLES			
TOP SIDE		BOT SIDE	
TOPHOLE HOLE	TOPSLOT SLOT	BOTHOLE HOLE	BOTSLOT SLOT

FIDUCIALS			
TOP SIDE		BOT SIDE	
TOPFIDA FIDUCIAL	TOPFIDB FIDUCIAL	BOTFIDA FIDUCIAL	BOTFIDB FIDUCIAL

GND

1R0  
1R0  
2R3  
3Q7  
5A3  
6B0  
7A4  
8A0  
9C6

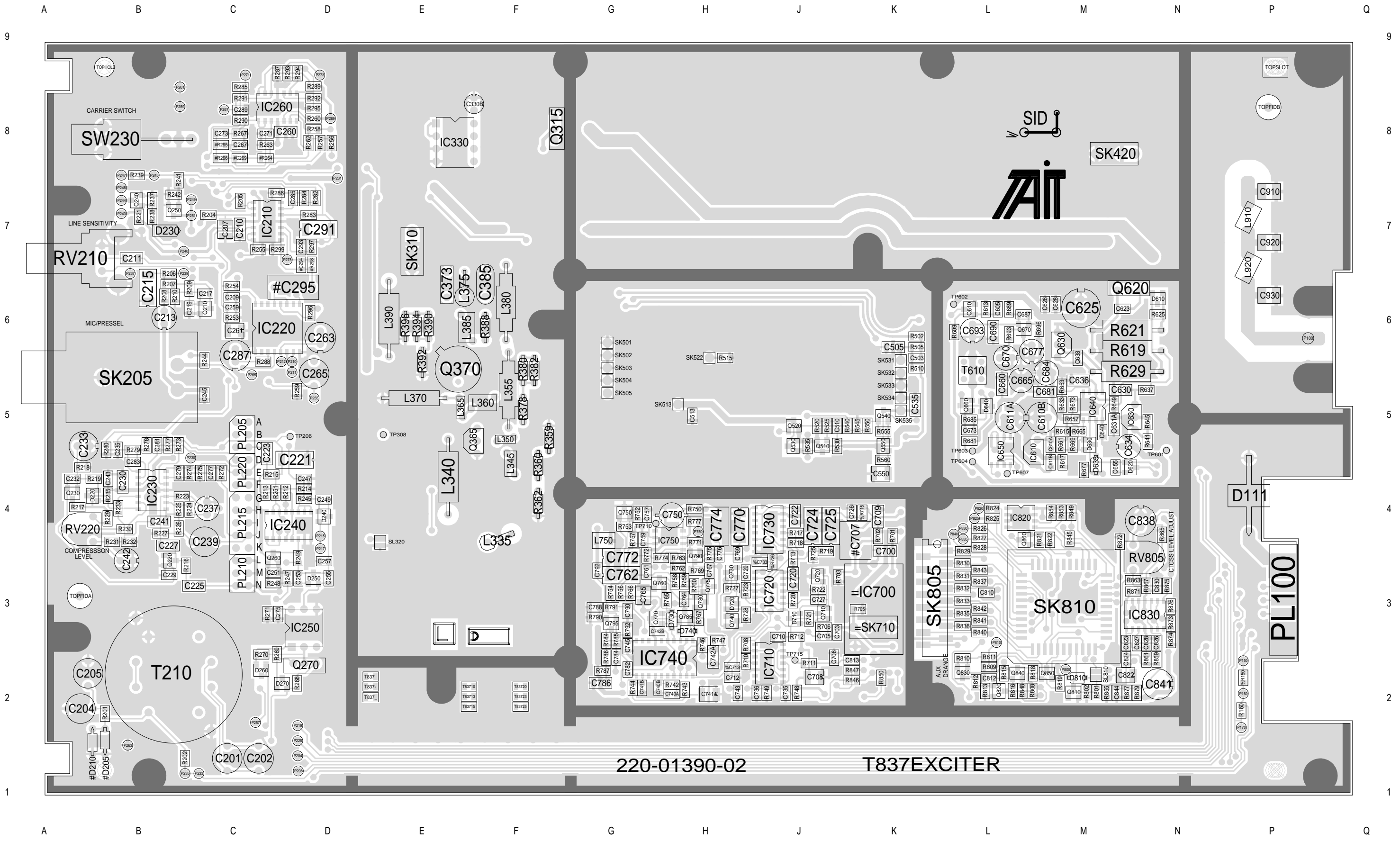
REV/ISS	AMENDMENTS	DRAWN	CHKD	D.O.	APVD	DATE
2A	7094,7129,0000,7130	DAVES				
1A	D-RUN-UPDATE	DAVES				
0A	ORIGINAL	DAVES				

© TAIT ELECTRONICS

T837EX  
OUT OF CIRCUIT DATA

IPN: 220-01390-02    ISSUE: 2A    ID: 2.SC. 10

PROJECT: T837    DESIGNER: DAVES    FILE NAME: 139002A    FILE DATE: 2-6-97    NO.SHEETS: 10



220-01390-02

T837EXCITER



PL100

D111

SK420

SID

AIT

SK810

SK805

#C700

=SK710

IC740

IC750

IC770

IC730

IC720

IC710

IC820

IC830

IC841

SK810

SK805

#C700

=SK710

IC740

IC750

IC770

IC730

IC720

IC710

IC820

IC830

IC841

SK810

SK805

#C700

=SK710

IC740

IC750

IC770

IC730

IC720

IC710

IC820

IC830

IC841

SK810

SK805

#C700

=SK710

IC740

IC750

IC770

IC730

IC720

IC710

IC820

IC830

IC841

SK810

SK805

#C700

=SK710

IC740

IC750

IC770

IC730

IC720

IC710

IC820

IC830

IC841

SK810

SK805

#C700

=SK710

IC740

IC750

IC770

IC730

IC720

IC710

IC820

IC830

IC841

SK810

SK805

#C700

=SK710

IC740

IC750

IC770

IC730

IC720

IC710

IC820

IC830

IC841

SK810

SK805

#C700

=SK710

IC740

IC750

IC770

IC730

IC720

IC710

IC820

IC830

IC841

SK810

SK805

#C700

=SK710

IC740

IC750

IC770

IC730

IC720

IC710

IC820

IC830

IC841

SK810

SK805

#C700

=SK710

IC740

IC750

IC770

IC730

IC720

IC710

IC820

IC830

IC841

SK810

SK805

#C700

=SK710

IC740

IC750

IC770

IC730

IC720

IC710

IC820

IC830

IC841

SK810

SK805

#C700

=SK710

IC740

IC750

IC770

IC730

IC720

IC710

IC820

IC830

IC841

SK810

SK805

#C700

=SK710

IC740

IC750

IC770

IC730

IC720

IC710

IC820

IC830

IC841

SK810

SK805

#C700

=SK710

IC740

IC750

IC770

IC730

IC720

IC710

IC820

IC830

IC841

SK810

SK805

#C700

=SK710

IC740

IC750

IC770

IC730

IC720

IC710

IC820

IC830

IC841

SK810

SK805

#C700

=SK710

IC740

IC750

IC770

IC730

IC720

IC710

IC820

IC830

IC841

SK810

SK805

#C700

=SK710

IC740

IC750

IC770

IC730

IC720

IC710

IC820

IC830

IC841

SK810

SK805

#C700

=SK710

IC740

IC750

IC770

IC730

IC720

IC710

IC820

IC830

IC841

SK810

SK805

#C700

=SK710

IC740

IC750

IC770

IC730

IC720

IC710

IC820

IC830

IC841

SK810

SK805

#C700

=SK710

IC740

IC750

IC770

IC730

IC720

IC710

IC820

IC830

IC841

SK810

SK805

#C700

=SK710

IC740

IC750

IC770

IC730

IC720

IC710

IC820

IC830

IC841

SK810

SK805

#C700

=SK710

IC740

IC750

IC770

IC730

IC720

IC710

IC820

IC830

IC841

SK810

SK805

#C700

=SK710

IC740

IC750

IC770

IC730

IC720

IC710

IC820

IC830

IC841

SK810

SK805

#C700

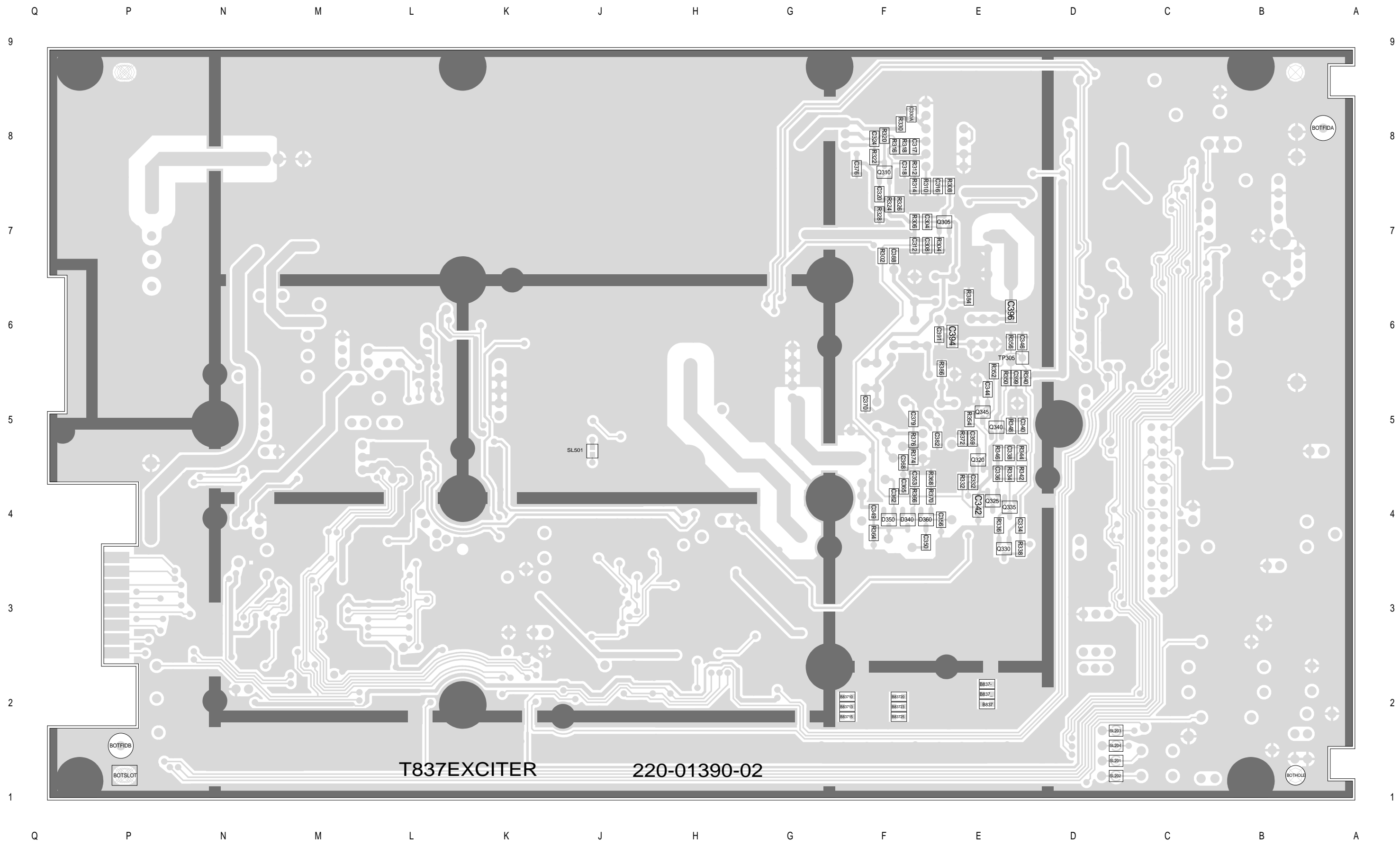
=SK710

IC740

IC750

IC770

IC730



T837EXCITER 220-01390-02